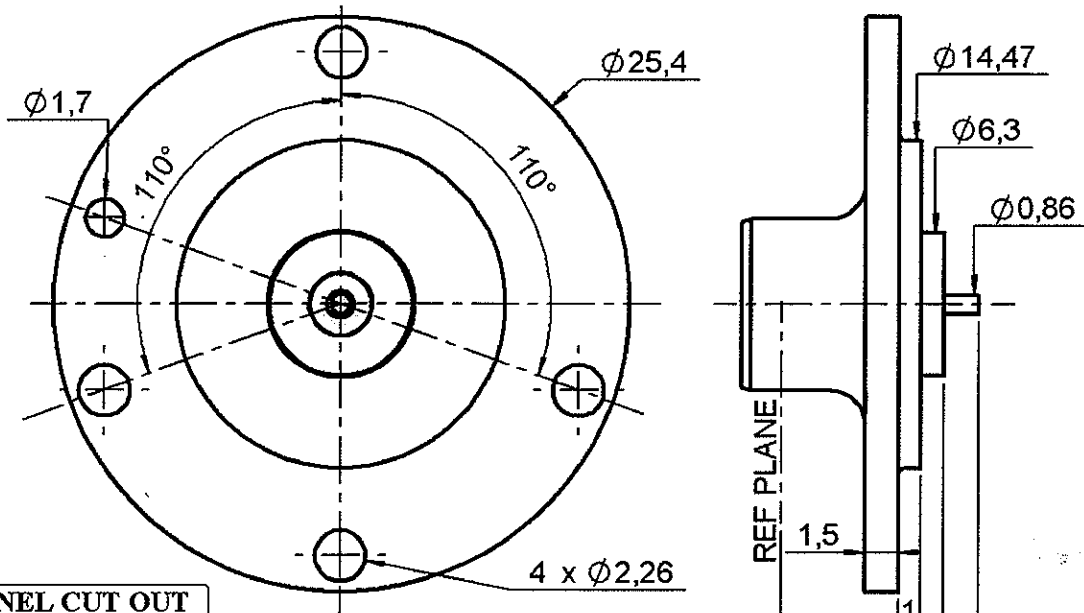


SPECIAL FLANGE PLUG RECEPTACLE

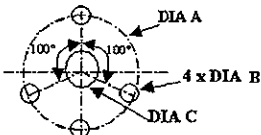
WITH CYLINDRICAL CONTACT

R128.513.201

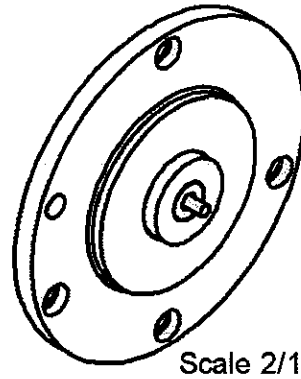
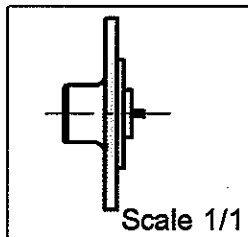
Series : BMA



PANEL CUT OUT



	mm	
	Maxi	mini
A	22.25	22.24
B	2.2	2
C	1.21	1.01



All dimensions are in mm.

COMPONENTS	MATERIALS	PLATING
BODY	STAINLESS STEEL	PASSIVATED . μm
CENTRE CONTACT	BERYLLIUM COPPER	GOLD 2.54 OVER NICKEL 1.27 μm
OUTER CONTACT	BERYLLIUM COPPER	GOLD 2.54 OVER NICKEL 1.27 μm
INSULATOR	PTFE	
GASKET	-	
OTHERS PARTS	-	- μm
-	-	-
-	-	-



Edition : 9926 F

Design changes may be in order to improve the product.

SPECIAL FLANGE PLUG RECEPTACLE

R128.513.201

WITH CYLINDRICAL CONTACT

Series : BMA

ELECTRICAL CHARACTERISTICS

Impedance		50 Ω
Frequency		0-18 GHz
VSWR	1.25*+	0.000 x F(GHz) Maxi
Insertion loss		0.07 √F(GHz) dB Maxi
RF leakage	- (NA - F(GHz)) dB mini
Voltage rating		500 Veff Maxi
Dielectric withstanding voltage		1500 Veff mini
Insulation resistance		5000 MΩ mini

SPECIFICATION

ENVIRONMENTAL

Operating temperature	-65/+125 °C
Hermetic seal	NA Atm.cm3/s
Leakage – pressurised only	NA Mpa

OTHERS CHARACTERISTICS

Assembly instruction NA

Others :
*de 0 a 10 Ghz

MECHANICAL CHARACTERISTICS

Centre contact retention		
Axial force – Mating end		27 N mini
Axial force – Opposite end		27 N mini
Torque		NA N.cm mini

Recommended torque		
Mating		NA N.cm
Panel nut		NA N.cm

Mating life		1000 Cycles mini
Weight		0.000 g

